

# เอกสารข้อมูลผลิตภัณฑ์

ข้อมูลจำเพาะ



Complete push button, Easy Harmony XA2, plastic, flush, red, 22mm, spring return, unmarked, 1NC

XA2EA42

## Main

Range Of Product	Easy Harmony XA2
Product Or Component Type	Complete push-button
Device Short Name	XA2
Bezel Material	Plastic
Fixing Collar Material	Plastic

## Complementary

Mounting Diameter	22.5 mm
Sale Per Indivisible Quantity	1
Protective Treatment	TC
Operating Position	Any position
Fixing Center	$\geq 30 \times 40$ mm (panel) - thickness: 1...5 mm
Fixing Mode	Fixing nut: 2...2.4 N.m
Shape Of Signaling Unit Head	Round
Type Of Operator	spring return
Operator Profile	Red flush
Contacts Type And Composition	1 NC
Contact Operation	Slow-break
Positive Opening	With NC contact conforming to IEC 60947-5-1 appendix K
Mechanical Durability	1500000 cycles
Connections - Terminals	Screw clamp terminal, $\leq 2 \times 1.5$ mm <sup>2</sup> Screw clamp terminal, $\leq 1 \times 2.5$ mm <sup>2</sup> Screw clamp terminal, $\geq 1 \times 0.5$ mm <sup>2</sup> Faston terminals, connection size: 6.3 mm
Tightening Torque	0.8 N.m
Short-Circuit Protection	10 A gL fuse conforming to IEC 60269-1
[Ith] Conventional Free Air Thermal Current	10 A
[Ui] Rated Insulation Voltage	600 V conforming to IEC 60947-1
[Uimp] Rated Impulse Withstand Voltage	6 kV conforming to IEC 60947-1
[Ie] Rated Operational Current	3 A at 240 V, AC-15, A600 0.27 A at 250 V, DC-13, Q600

<b>Electrical Durability</b>	500000 cycles, AC-15, 3 A at 230 V, operating rate <60 cyc/mn, load factor: 0.5 conforming to IEC 60947-5-4 500000 cycles, DC-13, 0.2 A at 110 V, operating rate <60 cyc/mn, load factor: 0.5
<b>Electrical Reliability</b>	$\Lambda < 10^{\exp(-8)}$ at 24 V
<b>Width</b>	30 mm
<b>Height</b>	42 mm
<b>Depth</b>	54.7 mm
<b>Net Weight</b>	0.032 kg
<b>Cap/Operator Or Lens Colour</b>	Red
<b>Type Of Operator</b>	Spring return

## Environment

<b>Ambient Air Temperature For Storage</b>	-40...70 °C
<b>Ambient Air Temperature For Operation</b>	-25...55 °C
<b>Overvoltage Category</b>	Class I conforming to IEC 536
<b>Ip Degree Of Protection</b>	IP65 conforming to IEC 60529
<b>Ik Degree Of Protection</b>	IK03 conforming to IEC 60529
<b>Standards</b>	IEC 60947-5-1 GB 14048.5 IEC 60947-1 GB 14048.1
<b>Product Certifications</b>	CCC CE
<b>Vibration Resistance</b>	10 gn (f= 40...500 Hz) conforming to IEC 60068-2-6
<b>Shock Resistance</b>	70 gn (duration = 11 ms) for half sine wave acceleration conforming to IEC 60068-2-27

## Packing Units

<b>Unit Type Of Package 1</b>	PCE
<b>Number Of Units In Package 1</b>	1
<b>Package 1 Height</b>	3.300 cm
<b>Package 1 Width</b>	3.300 cm
<b>Package 1 Length</b>	6.350 cm
<b>Package 1 Weight</b>	34.000 g
<b>Unit Type Of Package 2</b>	BB1
<b>Number Of Units In Package 2</b>	5
<b>Package 2 Height</b>	5.000 cm
<b>Package 2 Width</b>	5.000 cm
<b>Package 2 Length</b>	15.000 cm
<b>Package 2 Weight</b>	170.000 g
<b>Unit Type Of Package 3</b>	S02
<b>Number Of Units In Package 3</b>	100
<b>Package 3 Height</b>	15.000 cm
<b>Package 3 Width</b>	30.000 cm

---

**Package 3 Length** 40.000 cm

---

**Package 3 Weight** 3.737 kg

## ความยั่งยืน

ฉลาก **Green Premium™** เป็นความมุ่งมั่นของ Schneider Electric ในการส่งมอบผลิตภัณฑ์ที่มีประสิทธิภาพด้านสิ่งแวดล้อมที่ดีที่สุด Green Premium ให้คำมั่นว่าจะปฏิบัติตามกฎระเบียบล่าสุด ความโปร่งใสต่อผลกระทบด้านสิ่งแวดล้อม รวมถึงผลิตภัณฑ์หมุนเวียนและ CO<sub>2</sub> ต่ำ

คู่มือการประเมินความยั่งยืนของผลิตภัณฑ์เป็นเอกสารวิจัยที่ช่วยชี้แจงมาตรฐานฉลากสิ่งแวดล้อมทั่วโลกและวิธีการตีความการประเมิน

[เรียนรู้เพิ่มเติมเกี่ยวกับ Green Premium >](#)

[แนวทางในการประเมินความยั่งยืนของผลิตภัณฑ์ >](#)



ความโปร่งใส RoHS/REACH

## ประสิทธิภาพด้านสุขภาพ

Reach Free Of Svhc

Mercury Free

Rohs Exemption Information Yes

## ใบรับรองและมาตรฐาน

Reach Regulation [REACH Declaration](#)

Eu Rohs Directive Pro-active compliance (Product out of EU RoHS legal scope)  
[EU RoHS Declaration](#)

China Rohs Regulation [China RoHS declaration](#)

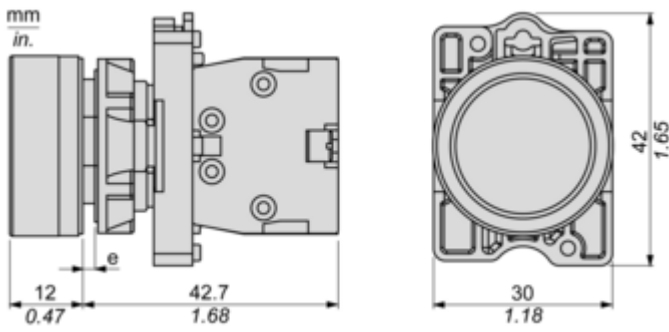
Environmental Disclosure [Product Environmental Profile](#)

Weee The product must be disposed on European Union markets following specific waste collection and never end up in rubbish bins

Circularity Profile [End of Life Information](#)

Dimensions

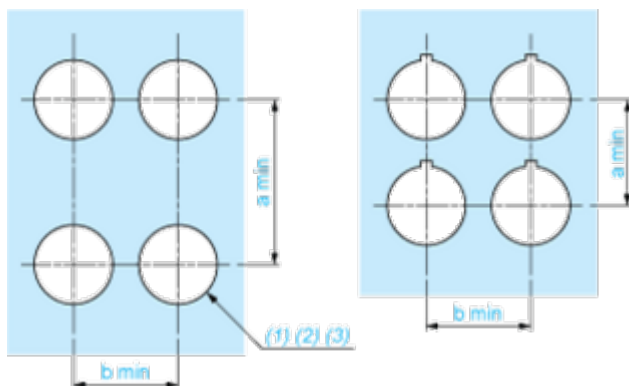
---



(e) Clamping thickness: 1 to 6 mm / 0.04 to 0.24 in.

**Panel Cut-out for Pushbuttons, Switches and Pilot Lights (Finished Holes, Ready for Installation)**

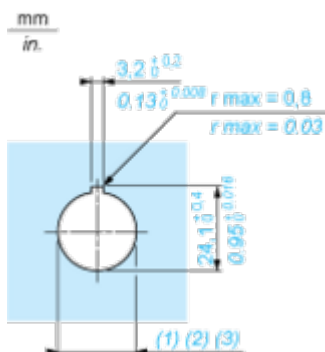
**Connection by Screw Clamp Terminals**



- (1) Diameter on finished panel or support
- (2) For selector switches and Emergency stop buttons, use of an anti-rotation plate type ZB5AZ902 is recommended.
- (3) Ø22.5 mm recommended ( $\text{Ø}22.3_0^{+0.4}$ ) / Ø0.89 in. recommended ( $\text{Ø}0.88\text{ in.}_0^{+0.016}$ )

Connections	a in mm	a in in.	b in mm	b in in.
By screw clamp terminals connector	40	1.57	30	1.18
By Faston connectors	45	1.77	32	1.26

**Detail of Lug Recess**



- (1) Diameter on finished panel or support
- (2) For selector switches and Emergency stop buttons, use of an anti-rotation plate type ZB5AZ902 is recommended.
- (3) Ø22.5 mm recommended ( $\text{Ø}22.3_0^{+0.4}$ ) / Ø0.89 in. recommended ( $\text{Ø}0.88\text{ in.}_0^{+0.016}$ )