

เอกสารข้อมูลผลิตภัณฑ์

ข้อมูลจำเพาะ



Complete push button, Easy Harmony XA2, plastic, flush, red, 22mm, push push, unmarked, 1NC

XA2EH042

Main

| | |
|---------------------------|----------------------|
| Range Of Product | Easy Harmony XA2 |
| Product Or Component Type | Complete push-button |
| Device Short Name | XA2 |
| Bezel Material | Plastic |
| Fixing Collar Material | Plastic |

Complementary

| | |
|---|---|
| Mounting Diameter | 22.5 mm |
| Sale Per Indivisible Quantity | 1 |
| Protective Treatment | TC |
| Operating Position | Any position |
| Fixing Center | >= 30 x 40 mm (panel) - thickness: 1...5 mm |
| Fixing Mode | Fixing nut: 2...2.4 N.m |
| Shape Of Signaling Unit Head | Round |
| Type Of Operator | push-push |
| Operator Profile | Red flush |
| Contacts Type And Composition | 1 NC |
| Contact Operation | Slow-break |
| Mechanical Durability | 1000000 cycles |
| Connections - Terminals | Screw clamp terminal, <= 2 x 1.5 mm ² Screw clamp terminal, <= 1 x 2.5 mm ² Screw clamp terminal, >= 1 x 0.5 mm ² Faston terminals, connection size: 6.3 mm |
| Tightening Torque | 0.8 N.m |
| Short-Circuit Protection | 10 A gL fuse conforming to IEC 60269-1 |
| [Ith] Conventional Free Air Thermal Current | 10 A |
| [Ui] Rated Insulation Voltage | 600 V conforming to IEC 60947-1 |
| [Uimp] Rated Impulse Withstand Voltage | 6 kV conforming to IEC 60947-1 |
| [Ie] Rated Operational Current | 3 A at 240 V, AC-15, A600 0.27 A at 250 V, DC-13, Q600 |
| Electrical Durability | 500000 cycles, AC-15, 3 A at 230 V, operating rate <60 cyc/mn, load factor: 0.5 conforming to IEC 60947-5-4 500000 cycles, DC-13, 0.2 A at 110 V, operating rate <60 cyc/mn, load factor: 0.5 |
| Electrical Reliability | $\Lambda < 10\text{exp}(-8)$ at 24 V |

| | |
|------------------------------------|-----------|
| Width | 30 mm |
| Height | 42 mm |
| Depth | 67.7 mm |
| Net Weight | 0.04 kg |
| Cap/Operator Or Lens Colour | Red |
| Type Of Operator | Push-push |

Environment

| | |
|--|---|
| Ambient Air Temperature For Storage | -40...70 °C |
| Ambient Air Temperature For Operation | -25...55 °C |
| Overvoltage Category | Class I conforming to IEC 536 |
| Ip Degree Of Protection | IP65 conforming to IEC 60529 |
| Ik Degree Of Protection | IK03 conforming to IEC 60529 |
| Standards | GB 14048.1 GB 14048.5 IEC 60947-1 IEC 60947-5-1 |
| Product Certifications | CCC CE |
| Vibration Resistance | 10 gn (f= 40...500 Hz) conforming to IEC 60068-2-6 |
| Shock Resistance | 70 gn (duration = 11 ms) for half sine wave acceleration conforming to IEC 60068-2-27 |

Packing Units

| | |
|-------------------------------------|----------|
| Unit Type Of Package 1 | PCE |
| Number Of Units In Package 1 | 1 |
| Package 1 Height | 3.0 cm |
| Package 1 Width | 4.0 cm |
| Package 1 Length | 7.0 cm |
| Package 1 Weight | 56.0 g |
| Unit Type Of Package 2 | S02 |
| Number Of Units In Package 2 | 100 |
| Package 2 Height | 15.0 cm |
| Package 2 Width | 30.0 cm |
| Package 2 Length | 40.0 cm |
| Package 2 Weight | 5.65 kg |
| Unit Type Of Package 3 | PAL |
| Number Of Units In Package 3 | 2000 |
| Package 3 Height | 60.0 cm |
| Package 3 Width | 80.0 cm |
| Package 3 Length | 90.0 cm |
| Package 3 Weight | 112.2 kg |

ความยั่งยืน

ฉลาก **Green Premium™** เป็นความมุ่งมั่นของ Schneider Electric ในการส่งมอบผลิตภัณฑ์ที่มีประสิทธิภาพด้านสิ่งแวดล้อมที่ดีที่สุด Green Premium ให้คำมั่นว่าจะปฏิบัติตามกฎระเบียบล่าสุด ความโปร่งใสต่อผลกระทบด้านสิ่งแวดล้อม รวมถึงผลิตภัณฑ์หมุนเวียนและ CO₂ ต่ำ

คู่มือการประเมินความยั่งยืนของผลิตภัณฑ์เป็นเอกสารวิจัยที่ช่วยชี้แจงมาตรฐานฉลากสิ่งแวดล้อมทั่วโลกและวิธีการตีความการประเมิน

[เรียนรู้เพิ่มเติมเกี่ยวกับ Green Premium >](#)

[แนวทางในการประเมินความยั่งยืนของผลิตภัณฑ์ >](#)



ความโปร่งใส RoHS/REACH

ประสิทธิภาพด้านสุขภาพ

Reach Free Of Svhc

Mercury Free

Rohs Exemption Information Yes

ใบรับรองและมาตรฐาน

Reach Regulation [REACH Declaration](#)

Eu Rohs Directive Pro-active compliance (Product out of EU RoHS legal scope)
[EU RoHS Declaration](#)

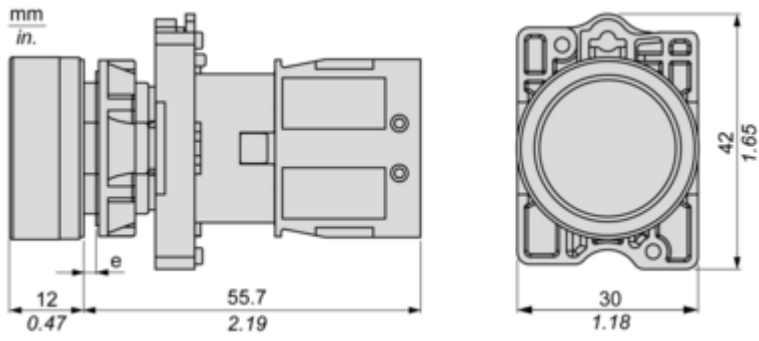
China Rohs Regulation [China RoHS declaration](#)

Environmental Disclosure [Product Environmental Profile](#)

Weee The product must be disposed on European Union markets following specific waste collection and never end up in rubbish bins

Circularity Profile [End of Life Information](#)

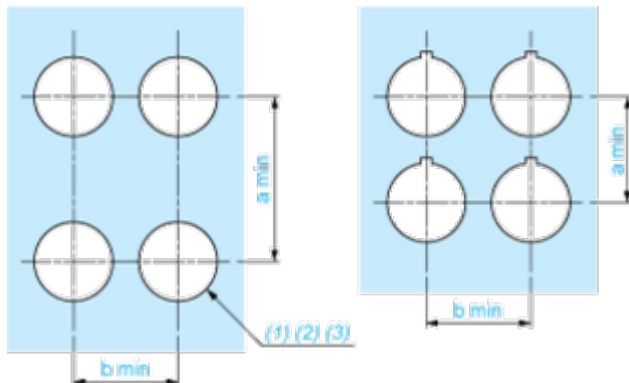
Dimensions



(e) Clamping thickness: 1 to 6 mm / 0.04 to 0.24 in.

Panel Cut-out for Pushbuttons, Switches and Pilot Lights (Finished Holes, Ready for Installation)

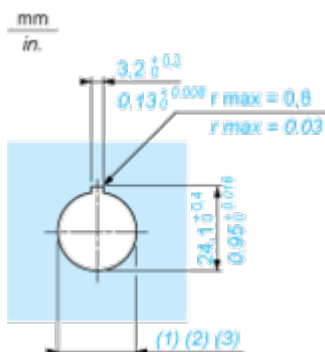
Connection by Screw Clamp Terminals



- (1) Diameter on finished panel or support
- (2) For selector switches and Emergency stop buttons, use of an anti-rotation plate type ZB5AZ902 is recommended.
- (3) Ø22.5 mm recommended ($\text{Ø}22.3_0^{+0.4}$) / Ø0.89 in. recommended ($\text{Ø}0.88\text{ in.}_0^{+0.016}$)

| Connections | a in mm | a in in. | b in mm | b in in. |
|------------------------------------|---------|----------|---------|----------|
| By screw clamp terminals connector | 40 | 1.57 | 30 | 1.18 |
| By Faston connectors | 45 | 1.77 | 32 | 1.26 |

Detail of Lug Recess



- (1) Diameter on finished panel or support
- (2) For selector switches and Emergency stop buttons, use of an anti-rotation plate type ZB5AZ902 is recommended.
- (3) Ø22.5 mm recommended ($\text{Ø}22.3_0^{+0.4}$) / Ø0.89 in. recommended ($\text{Ø}0.88\text{ in.}_0^{+0.016}$)